

Stocked Switches — SP3T

SEM Series

SP3T / DC-18 GHz

- Five Models In Stock in 3 Position Series
- Standard Features Include:
Normally Open and Latching Models
TTL Logic Control, Suppression Diodes
- All Models Supplied with Indicator Circuits



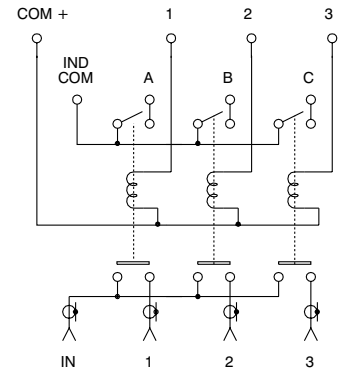
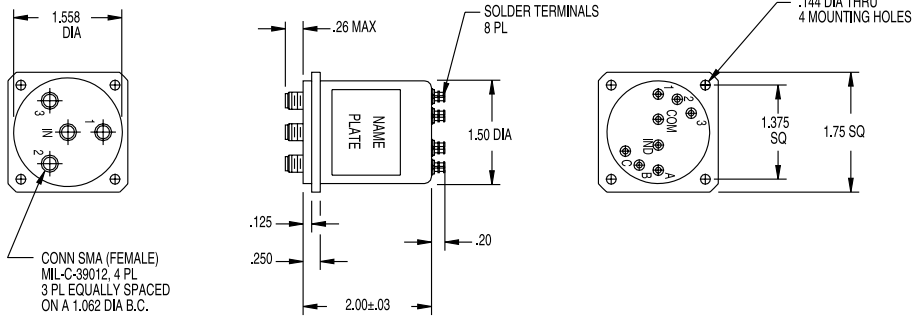
MODEL NO.	FEATURES	ACTUATING CURRENT mA @28 Vdc & 25°C	FREQUENCY RANGE DC-18GHz	INSERTION LOSS dB (Max)	VSWR (Max)	ISOLATION dB (Min)
SEM133	SP3T (SMA) NORMALLY OPEN INDICATOR CKT	140	DC-3	0.2	1.2:1	80
			3-8	0.3	1.3:1	70
			8-12.4	0.4	1.4:1	60
			12.4-18	0.5	1.5:1	60
SEM133D	SP3T (SMA) NORMALLY OPEN TTL* SUPPRESSION DIODES INDICATOR CKT	140	DC-3	0.2	1.2:1	80
			3-8	0.3	1.3:1	70
			8-12.4	0.4	1.4:1	60
			12.4-18	0.5	1.5:1	60
SEM133T	SP3T (SMA) NORMALLY OPEN TERMINATED INDICATOR CKT	140	DC-3	0.2	1.2:1	80
			3-8	0.3	1.3:1	70
			8-12.4	0.4	1.4:1	60
			12.4-18	0.5	1.5:1	60
SEM133DT	SP3T (SMA) NORMALLY OPEN TERMINATED TTL* SUPPRESSION DIODES INDICATOR CKT	180	DC-3	0.2	1.2:1	80
			3-8	0.3	1.3:1	70
			8-12.4	0.4	1.4:1	60
			12.4-18	0.5	1.5:1	60
SEM133LT	SP3T (SMA) PULSE LATCHING TERMINATED INDICATOR CKT	300	DC-3	0.2	1.2:1	80
			3-8	0.3	1.3:1	70
			8-12.4	0.4	1.4:1	60
			12.4-18	0.5	1.5:1	60

*APPLIES TO ALL SWITCHES WITH TTL:

1. Selected position of the switch is controlled by TTL Logic High
2. Switch required only nominal +28 Vdc for coils (additional 5 Vdc is not required).
3. TTL Logic Voltage Level: Low 0 to 0.8 Vdc High 2.5 to 5.0 Vdc
4. TTL Logic Input Current: Low 0 mA High 1.6 mA max @ 3.85 Vdc

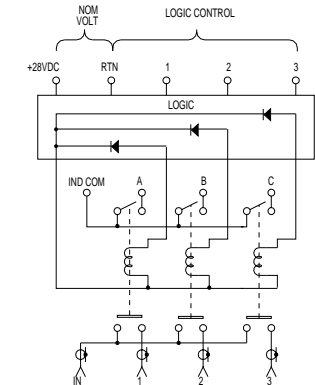
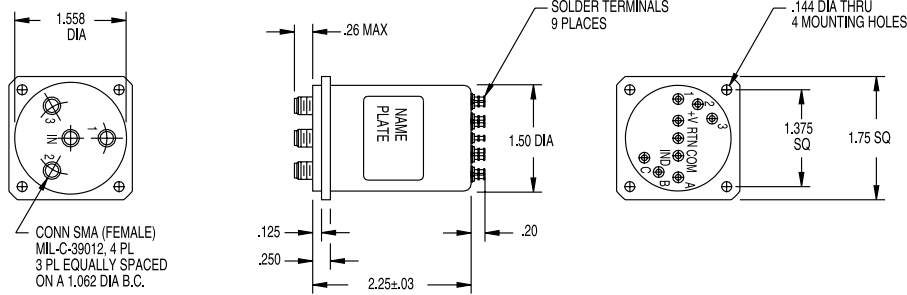
Stacked Switches — SP3T

SEM133



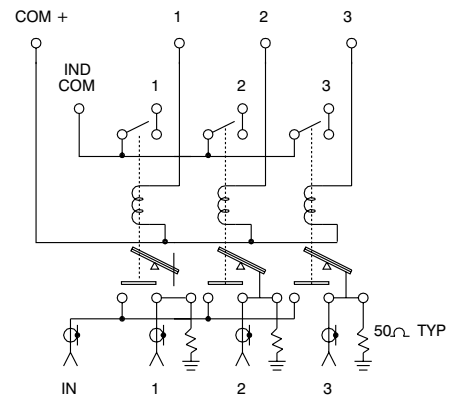
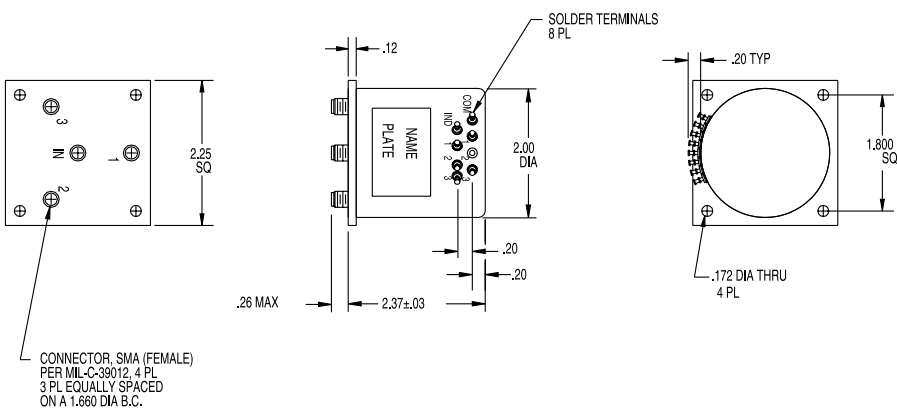
SCHEMATIC SHOWN IN NORMALLY OPEN POSITION

SEM133D



SCHEMATIC SHOWN IN NORMALLY OPEN POSITION

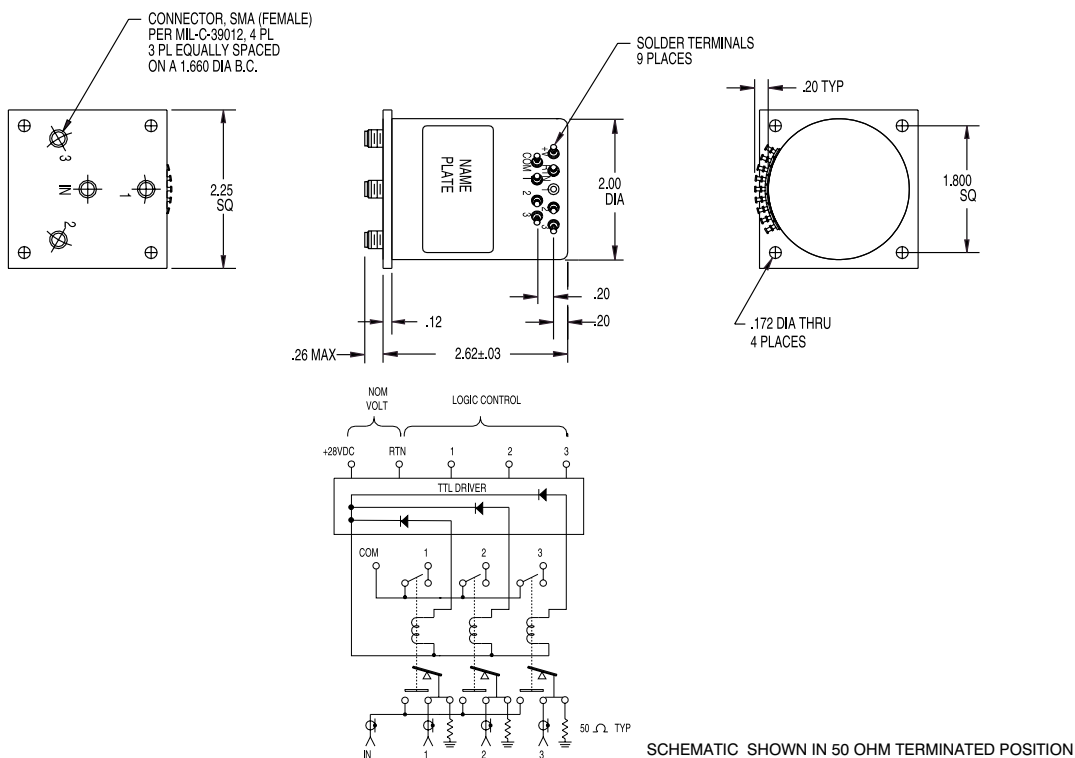
SEM133T



SCHEMATIC SHOWN IN POSITION 1 CLOSED

Stocked Switches — SP3T

SEM133DT



SEM133LT

